



BAF1-2RN18-RH



Actual product appearance may vary.

**Enclosed Switches Series BAF/DTF:
Wobble Stick Actuator; 1NC 1NO SPDT
Snap Action; Actuator Position - Right**

Features

- Up to 20 ampere capacity
- Cast aluminum housing with three-hole mounting
- Right or left-handed (sealed or unsealed) actuators
- Cover seal, captive cover screws
- Momentary or maintained contact
- UL recognized, file #E12252
- CSA certified, file #LR41372
- Sealed to NEMA 1, 3, 4 and 13 requirements
- Grounding screw

Potential Applications

- Packaging equipment
- Special machinery
- Agricultural machinery
- Conveyors
- Overhead cranes and hoists

Description

The elastomer boot on sealed actuator versions protects the actuating mechanism and the internal basic switch from contaminants. There is a seal gasket between the cover plate and the enclosures on all versions. The cover plate is removed for ease of wiring and switch replacement without demounting the switch. The actuator position is designated "right" or "left," when looking at the nameplate.

Product Specifications

Availability	Global
Pretravel (P.T.)	15° max.
Product Type	Enclosed Switches
Actuator	Wobble - Coil Spring
Lever Style	-- No Lever --
Circuitry	1NC 1NO SPDT Snap Action
Ampere Rating	20 A Ind./0.5 A Res./0.25 A Res.
Supply Voltage	125 Vac, 250 Vac, 480 Vac/125 Vdc/250 Vdc

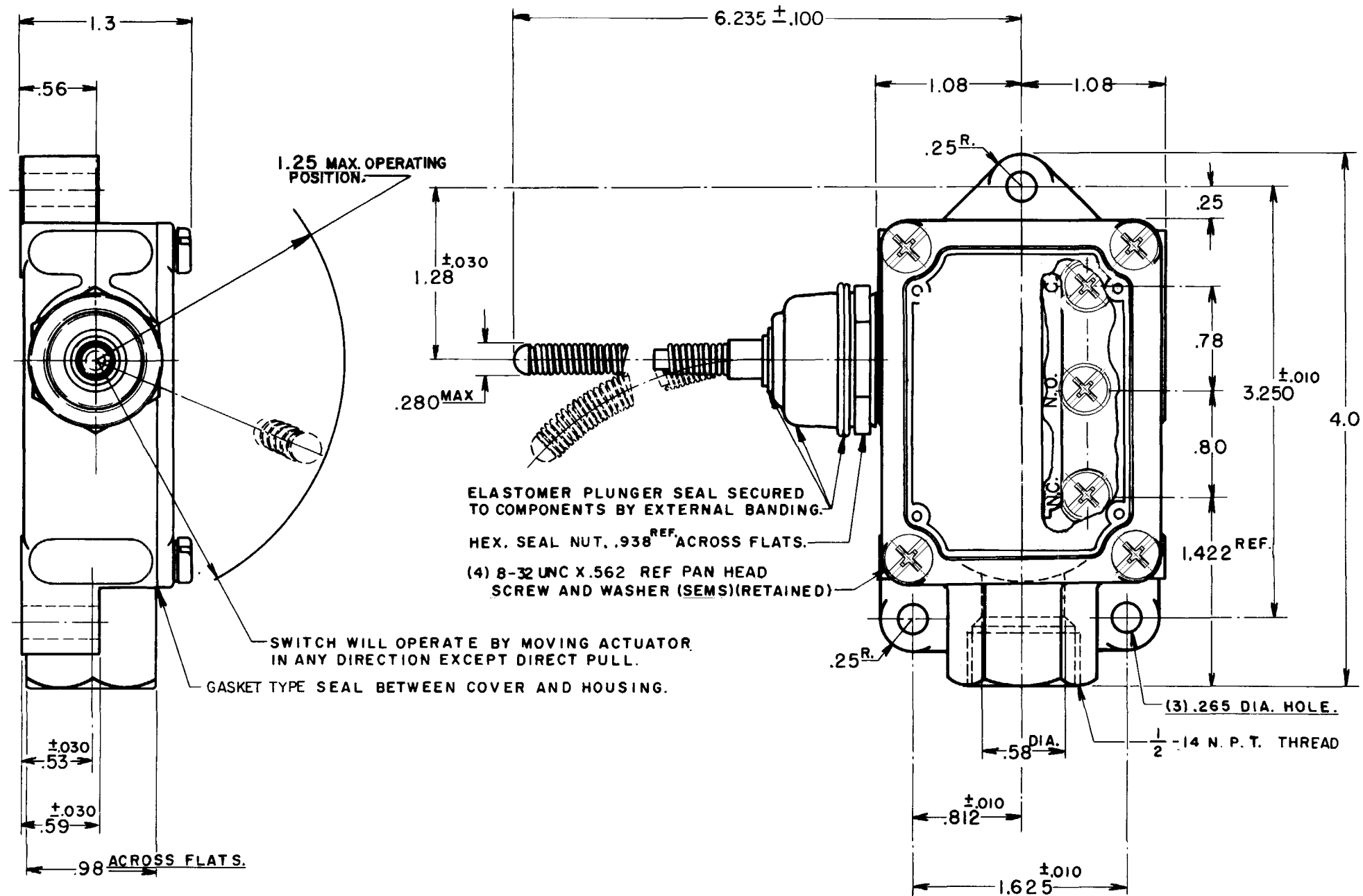
Housing Material	Aluminum Die-Cast
Termination Type	0.5 in - 14NPT conduit
Series Name	BAF/DTF
Sealing	NEMA 1, 3, 4, and 13
Approvals	UL recognized, CSA certified
CSA File #	LR41372
UL File #	E12252
Operating Temperature Range	-32 °C to 71 °C [-25 °F to 160 °F]
Comment	With seal boot on plunger; Right-hand actuator position
UNSPSC Code	302119
UNSPSC Commodity	302119 Switches and controls and relays
Sealed	Industrial

SKETCH 13991
 ISSUE 1
 CATALOG LISTING
BAFI-2RN18-RH
 PAGE 1 OF 1
 RELEASE NO. SR-5195
 REPLACES
 CHECK
 REVISIONS
 A CO-73287M
 GJW
 11 MAY 95
 CHECK
 JJA
 25 MAY 95
 CHECK
 GJW
 11 MAY 95
 DRAWN
 FORMTEK

MICRO SWITCH
a Honeywell Division
FED. MFG. CODE 91929

SWITCH-ENCLOSED

CATALOG LISTING
BAFI-2RN18-RH
(RIGHT HAND)



THIS DRAWING COVERS A PROPRIETARY ITEM AND IS THE PROPERTY OF MICRO SWITCH, A DIVISION OF HONEYWELL. THIS DRAWING IS NOT TO BE COPIED OR USED WITHOUT THE APPROVAL OF MICRO SWITCH

THIRD ANGLE PROJECTION

CHARACTERISTICS

ELECTRICAL DATA

OPERATING POSITION ——— 15° MAX

CONTACT ARRANGEMENT
S P D T

L23
 20A 125, 250 OR 480 VAC
 10A 125 VAC "L"
 1HP 125 VAC, 2HP 250 VAC
 1/2A 125 VDC, 1/4A 250 VDC

BASIC SWITCH REPLACEMENT -- BA-2R708-P7



SCALE FULL

DO NOT SCALE PRINT

UNLESS OTHERWISE SPECIFIED TOLERANCES ARE

ONE PLACE	(.0)	±.030
TWO PLACE	(.00)	±.015
THREE PLACE	(.000)	±.005
ANGLES		±

WEIGHT

NOTE

1 - 8-32 UNC X (.219) BINDER HEAD, COMBINATION, TERMINAL SCREWS AND CUPWASHERS